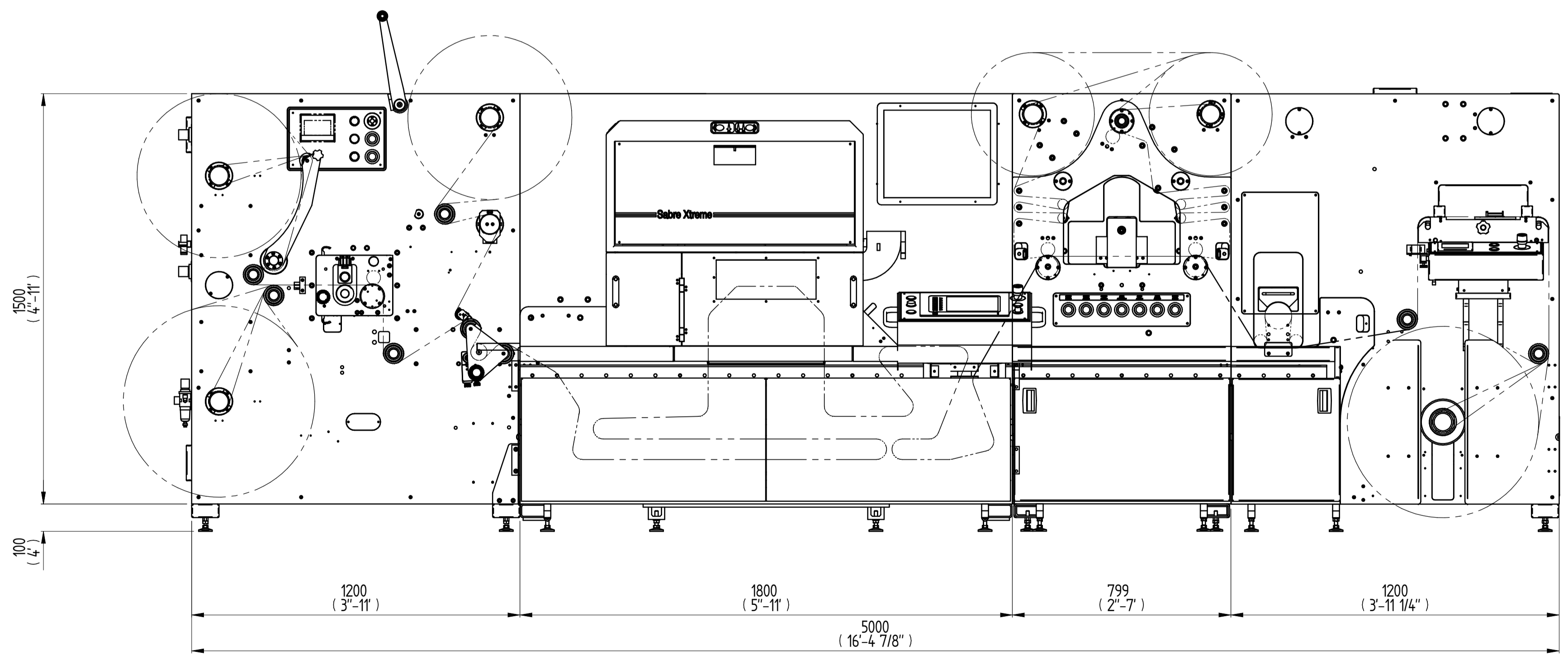


MACHINE PACKING LIST		
MACHINE DESCRIPTION	PACKING CRATE No	PACKED SIZE
SABRE EXTREME LASER	0953HPL1274A	2122 x 2090 x 2151h
UNWIND	0951HPL1274A	1512 x 1590 x 1900h
REWIND	0950HPL1274A	1817 x 1590 x 1900h
ELEC CABINET + CHILLER	0958HPL1274B	1614 x 1090 x 2051h
LAMINATING UNIT	0949HPL1274	1208 x 1590 x 1900h
EXTRACTION UNIT	0955HPL1274A	1919 x 1540 x 2151h

LASER EXTREME/UNWIND/REWIND/CHILLER/EXTRACTOR POWER SUPPLY REQUIREMENTS	
MACHINE MAIN ELECTRICAL SUPPLY	MACHINE MAIN COMPRESSED AIR SUPPLY
415 V	5.5 BAR (80 PSI)
3 PHASE + EARTH + NEUTRAL	250 LPM (8.8 CFM)
63 AMPS 50-60 Hz	CLEAN AND DRY
EARTH LEAKAGE GREATER THAN 10mA	Ø8mm HOSE



Title: SABRE EXTREME LASER + UNWIND + REWIND + LAMINATING  
Serial number: SXL0002 (12992)

Machine: QUOTE 30927 - KUSTOM DESIGN Date: 26/04/2016

Material: SEE BOM

Finish: NONE

Treatment: NONE

Rev	Description	Name	Date

Tel: +44 (0) 1977-217743  
Fax: +44 (0) 1977-217733  
E-Mail: info@abgrint.com

AB GRAPHIC INTERNATIONAL  
Millfield Works, Station Road  
Middleton On The Walls, Driffield  
East Yorkshire, YO25 9UD

Limits U.O.S.  
Over 250 +/-1  
1 To 250 +/-0.25  
0.0 +/-0.15  
0.0 +/-0.03

Projection IF IN DOUBT ASK

Machine: QUOTE 30927 - KUSTOM DESIGN

Date: 26/04/2016

Drawn by: I. BOAST